



RAPID CONTROL SERVICE, INC.

Partners In Automation Since 1964

PNEUMATIC / ELECTRICAL / RESISTANCE WELDING

Phone: 616-538-1111

WATTS: 1-800-632-1857

Fax: 616-538-6847

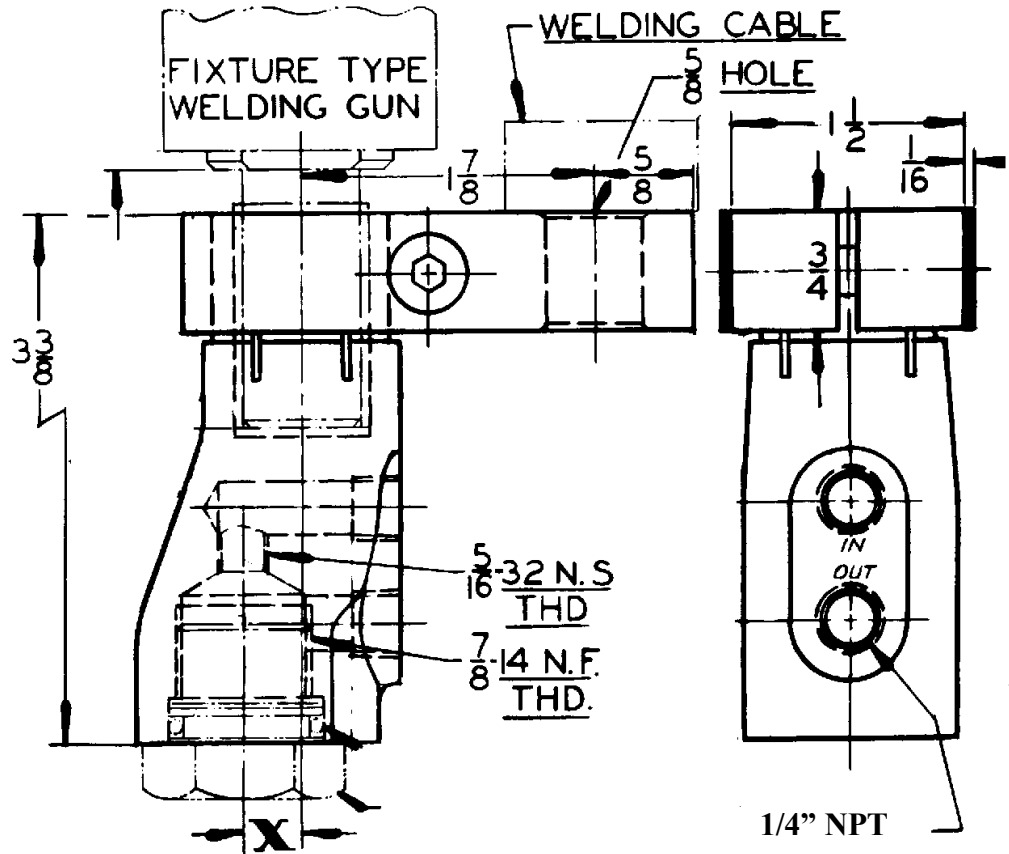
Website: www.rapidcontrol.com

E-Mail: sales@rapidcontrol.com

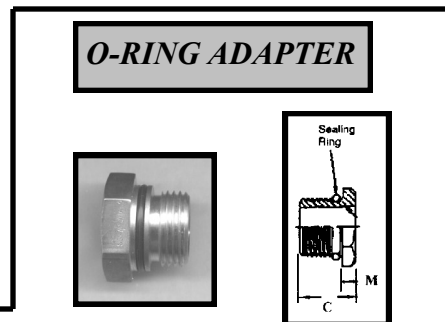
NEW O-RING OFF-SET ELECTRODE HOLDER

Advantages of using a O-Ring

- ⇒ Better Water Seal.
- ⇒ You Always Maintain a consistent unit of measurement.
- ⇒ Force is distribute to the bottom of the barrel.



Part Number	X Off Set
RC-A-50-5-87F-25	1/2"
RC-A-62-5-87F-25	5/8"
RC-A-75-5-87F-25	3/4"
RC-A-100-5-87F-25	1"



PART NO.	Size	(C) Overall Length	(M) Stick Out	Price
190-3211	#4	1-1/8"	5/16"	\$24.10
190-3311	#5	1-1/8"	5/16"	\$27.52

2479 28th Street Grand Rapids, MI 49519

Prices subject to change without notice

08/12



RAPID CONTROL SERVICE, INC.

Partners In Automation Since 1964

PNEUMATIC / ELECTRICAL / RESISTANCE WELDING

Phone: 616-538-1111

WATTS: 1-800-632-1857

Fax: 616-538-6847

Website: www.rapidcontrol.com

E-Mail: sales@rapidcontrol.com

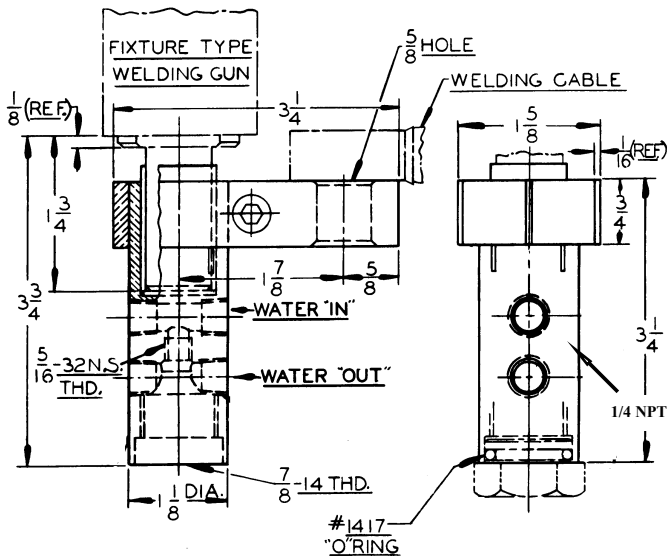
NEW O-RING ELECTRODE HOLDER ASSEMBLY

Advantages of using a O-Ring

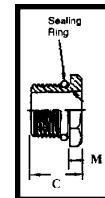
- ⇒ Better Water Seal.
- ⇒ You Always Maintain a consistent unit of measurement.
- ⇒ Force is distribute to the bottom of the barrel.



Part Number	Fit Size Adapter	Ports	Price
RC-SH-101-B-7/8-S	#4 & #5	1/4"	\$85.00



O-RING ADAPTER



PART NO.	Size	(C) Overall Length	(M) Stick Out	Price
190-3211	#4	1-1/8"	5/16"	\$24.10
190-3311	#5	1-1/8"	5/16"	\$27.52

2479 28th Street Grand Rapids, MI 49519

Prices subject to change without notice

08/12